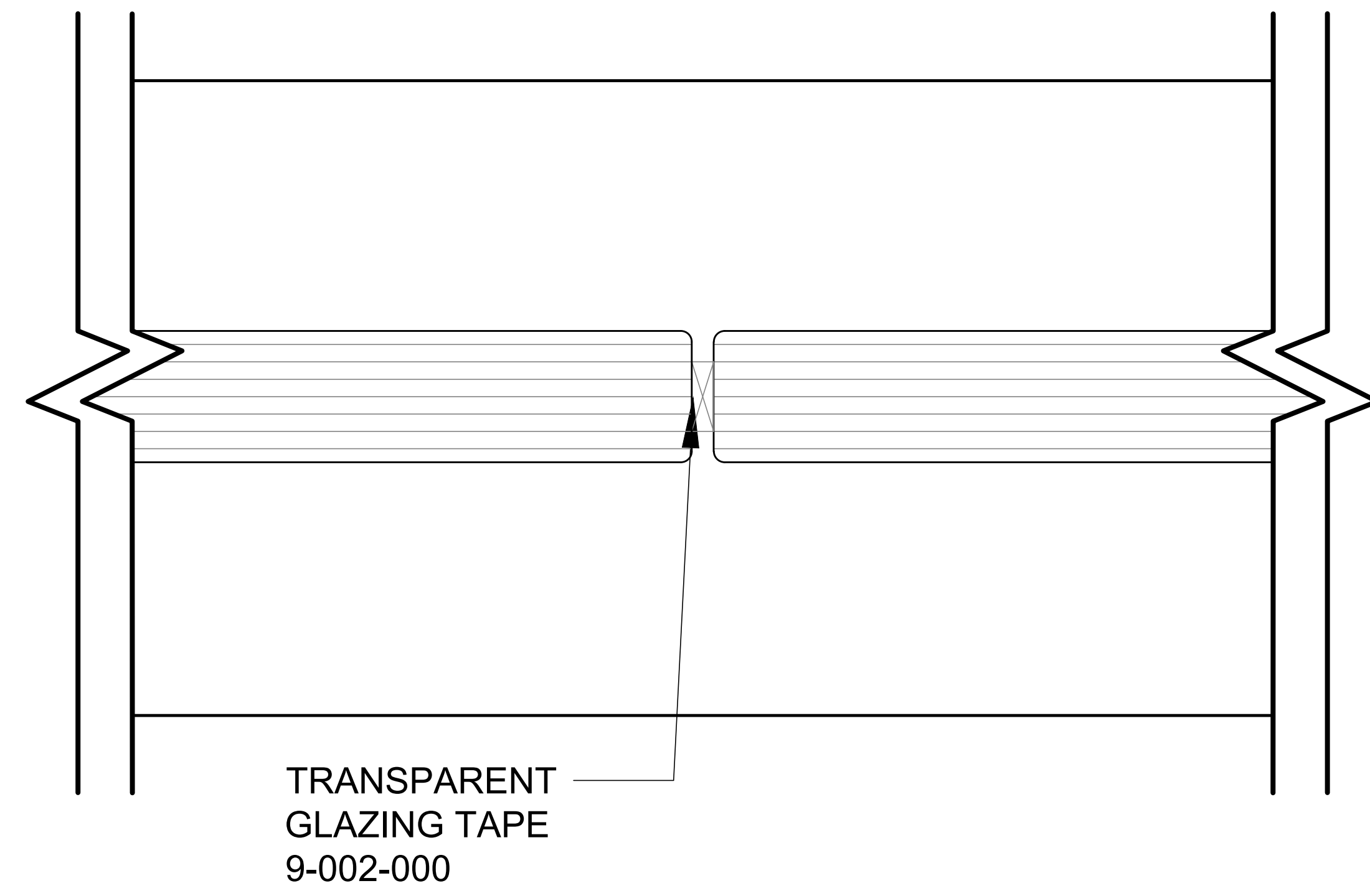
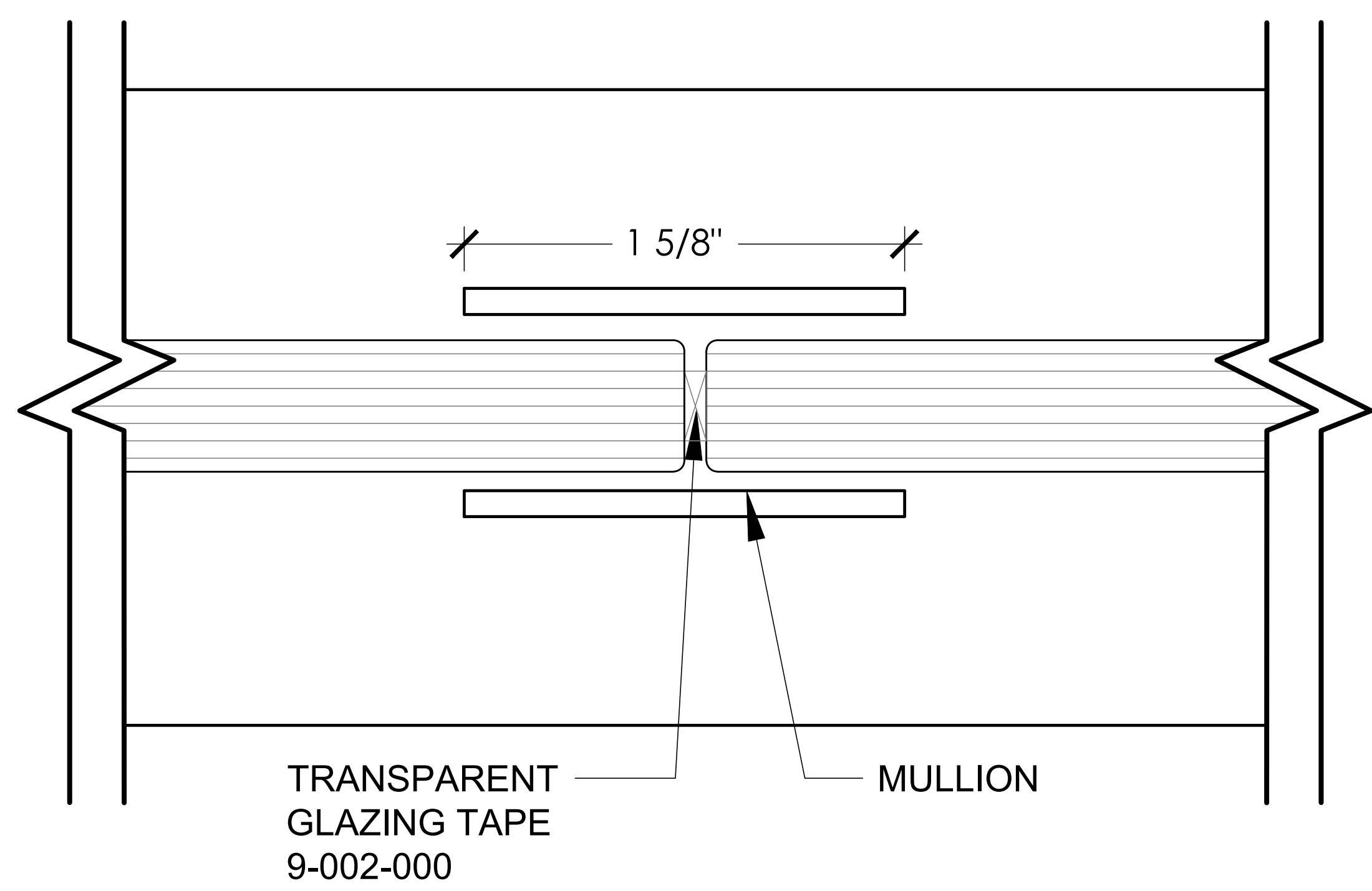


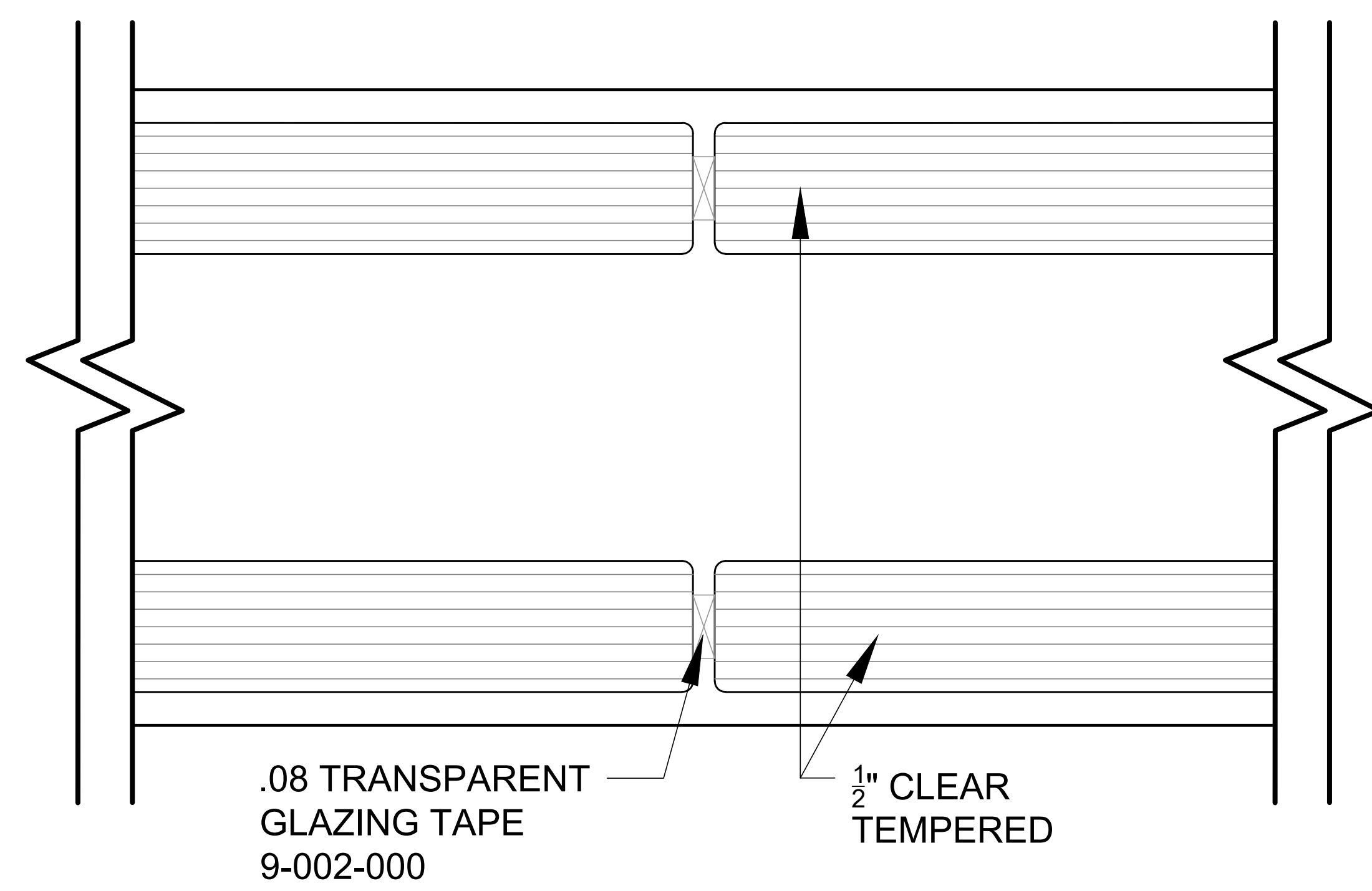
1 **OFFSET GLAZED GLASS TO GLASS**
 OFFSET GLASS CONNECTION 1'-0"=1'-0"



2 **CENTER GLAZED GLASS TO GLASS**
 CENTER GLAZED GLASS CONNECTION 1'-0"=1'-0"




3 **CENTER GLAZED GLASS TO GLASS**
 CENTER GLASS CONNECTION WITH MULLIONS 1'-0"=1'-0"



4 **DOUBLE GLAZED GLASS TO GLASS**
 DOUBLE GLASS CONNECTION 1'-0"=1'-0"

Approved By: _____
 Signature _____ Date _____

TITLE: Glass to Glass	PROJECT: Clipper Details						225 Park Avenue South - Suite 201 New York, NY 10003 Tel. 212.647.6200 <hr/> 175 Morristown Rd., Ste 200 Basking Ridge, NJ 07920 Tel. 908.901.0001 <hr/> WWW.WBWOOD.COM • New York • New Jersey •
	Address State, Zip	PROJECT No.: JOB NO.	DATE: 12/5/2019	REVISION DATE: 1/4/2011	SCALE: CUSTOM		