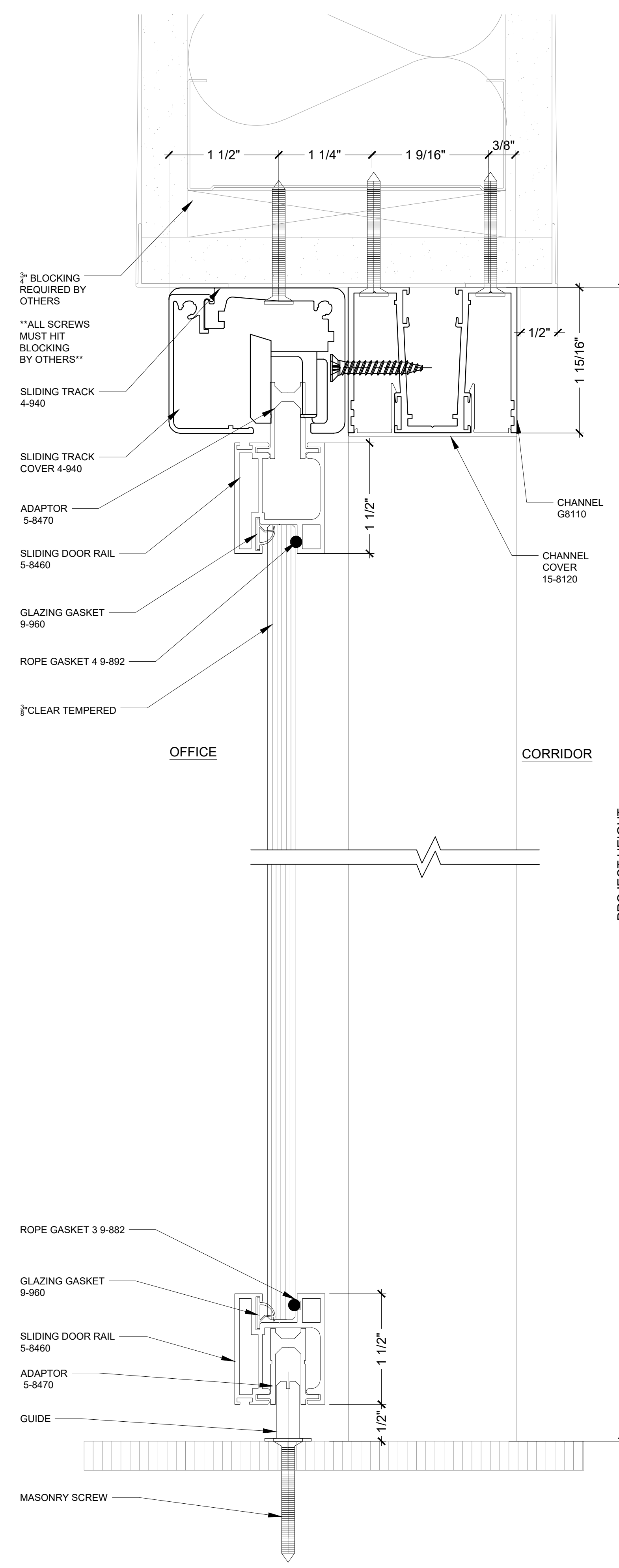
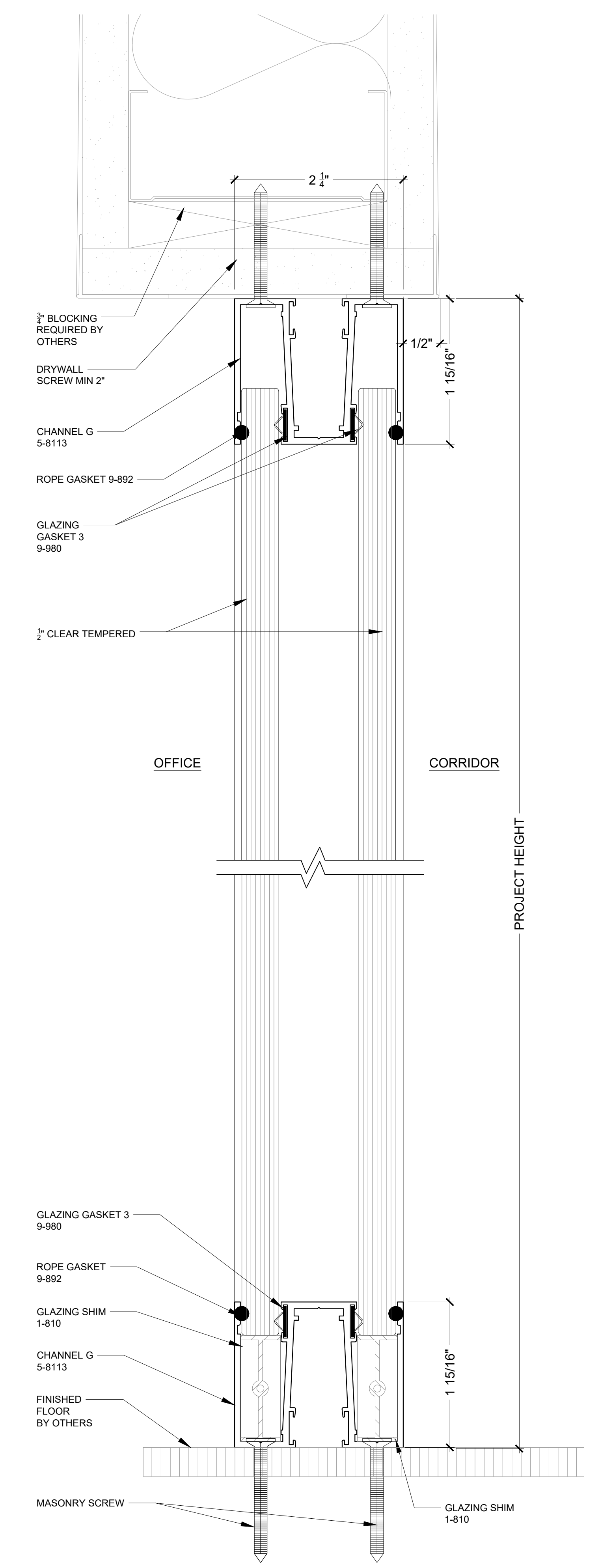


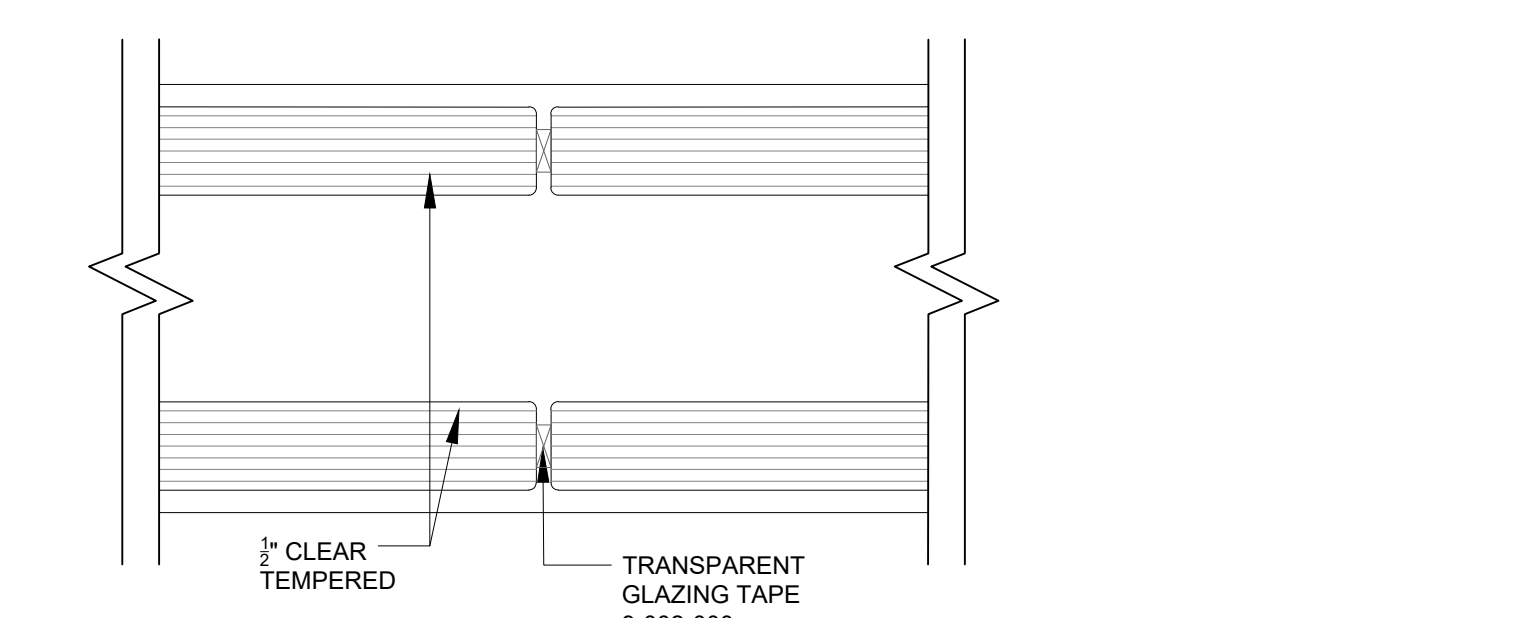
1 ELEVATION
1'-0"=1'-0"



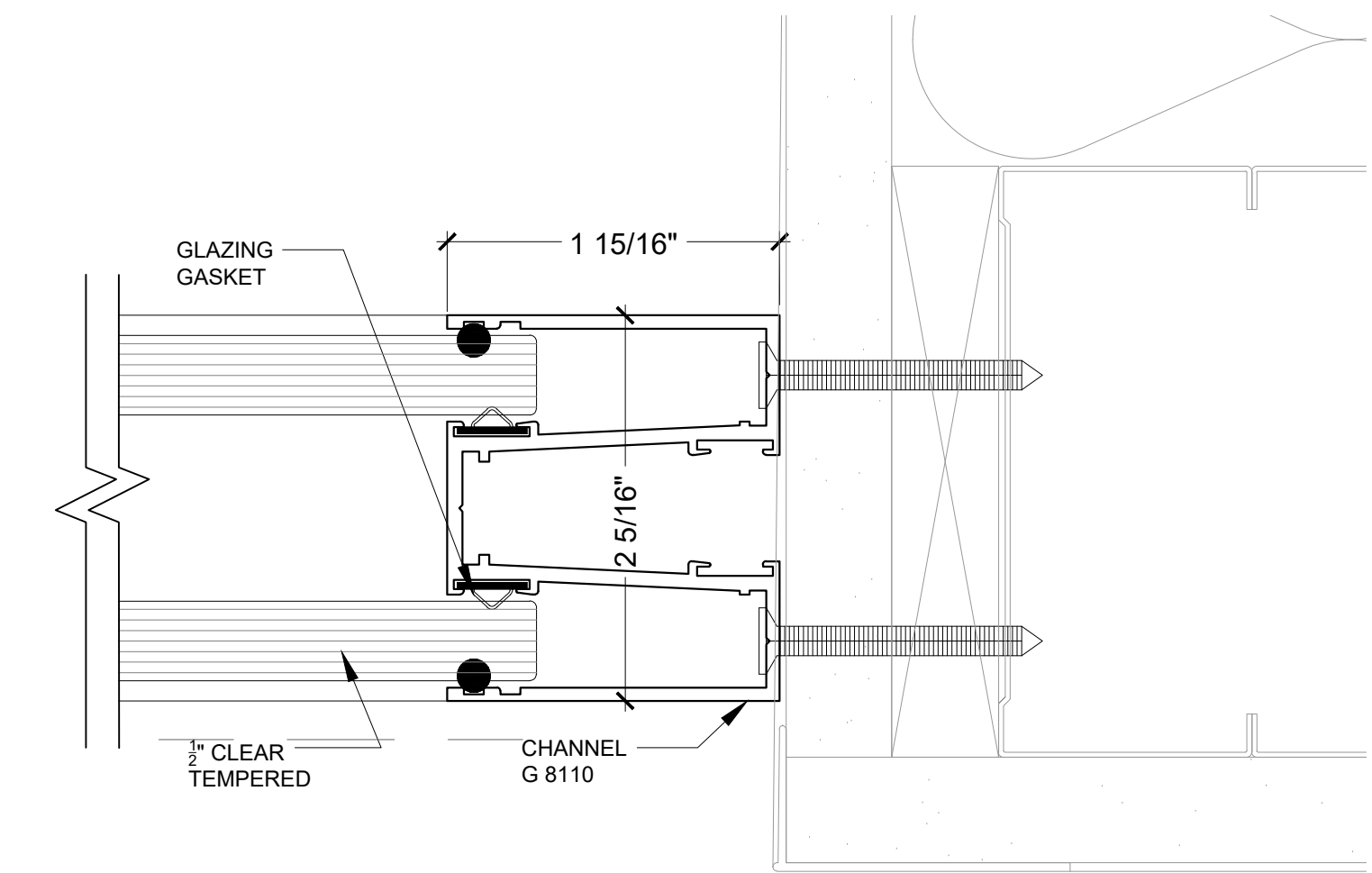
1 FRAMED SLIDING DOOR
1'-0"=1'-0"



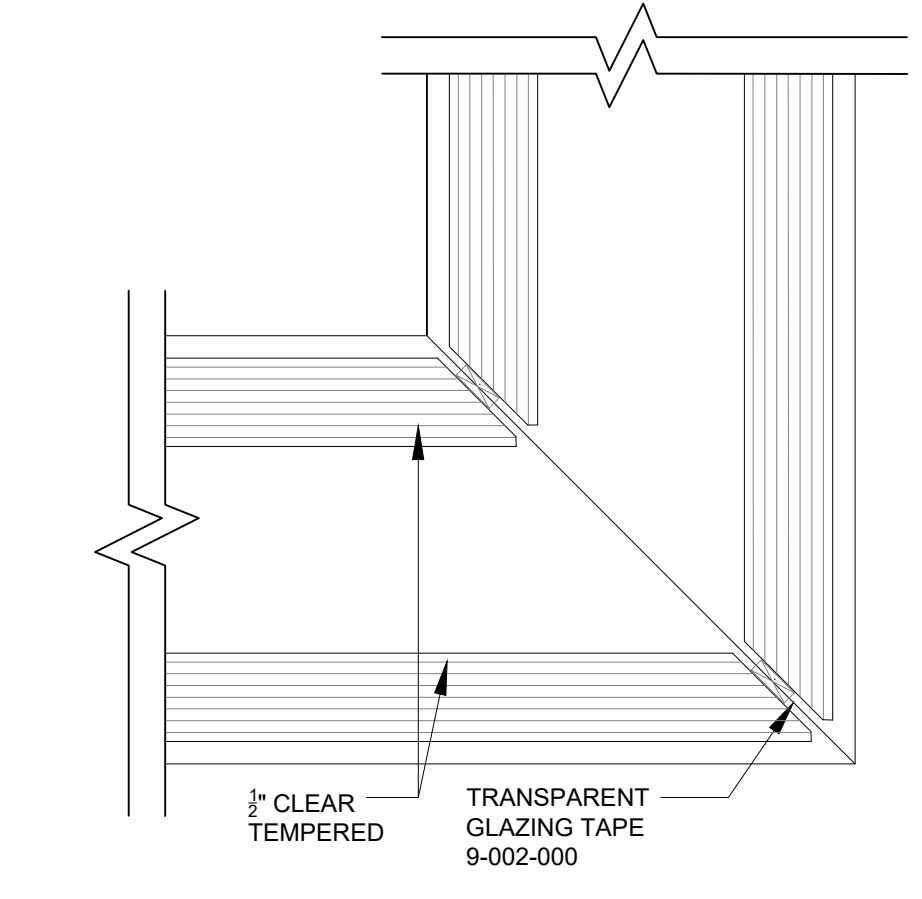
2 DOUBLE GLAZED FIXED CHANNEL
1'-0"=1'-0"



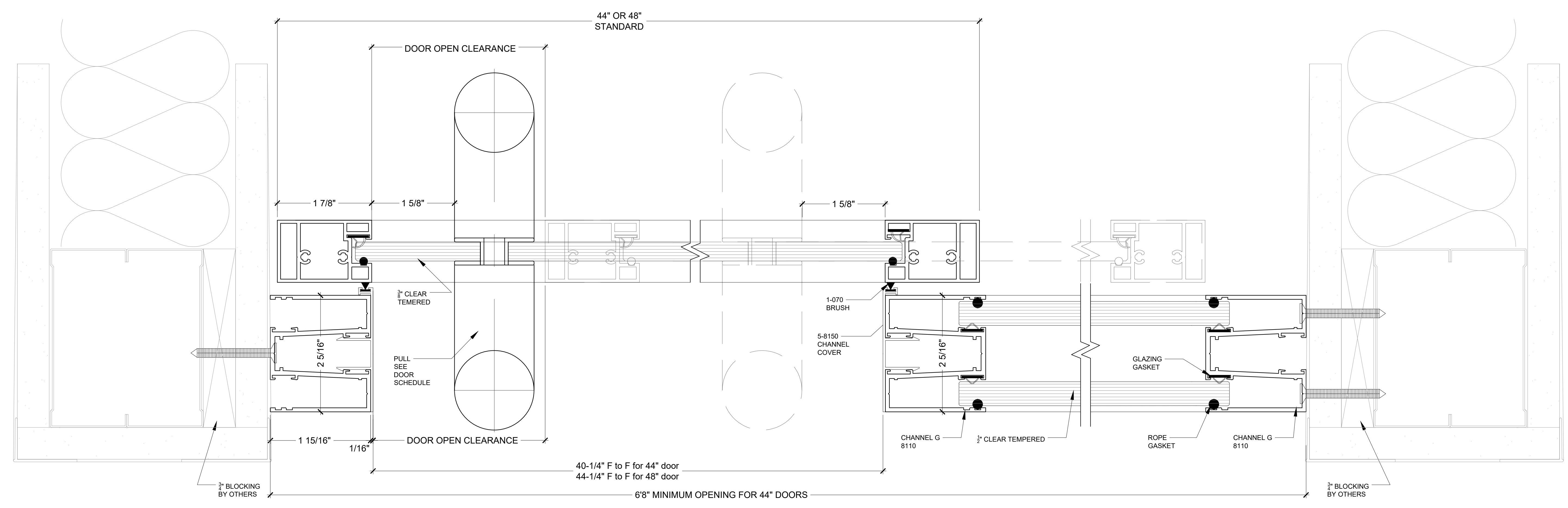
4 GLASS CONNECTION
1'-0"=1'-0"



5 WALL ABUTMENT
1'-0"=1'-0"



6 GLASS CORNER
1'-0"=1'-0"



3 FRAMED SLIDING DOOR W/ LADDER PULL
1'-0"=1'-0"

LEGEND:

1	Out for Approval	W.D.2011
No.	REVISED	DATE

Framed Sliding Door with Ladder Pull in Double Glazed System

PROJECT:

CLIPPER STANDARDS DRAWINGS

DRAWING TITLE:
FRAMED SLIDING DOOR - DOUBLE GLAZED

225 Park Avenue South - Suite 201
New York, NY 10003
Tel. 212.647.6200
170 Northdown Rd. - Ste 2000
Basking Ridge, NJ 07920
Tel. 908.901.0001
www.wbwood.com
New York • New Jersey

A Herman Miller Certified Network Member

PROJECT No.: _____ JOB No.: _____
DATE: December 20, 2019
SCALE: _____
DRAWN BY: _____
CHECKED BY: _____

Approved By: _____
Signature _____ Date _____

These plans are an instrument of service and are the property of WB Wood. Infringements will be prosecuted.