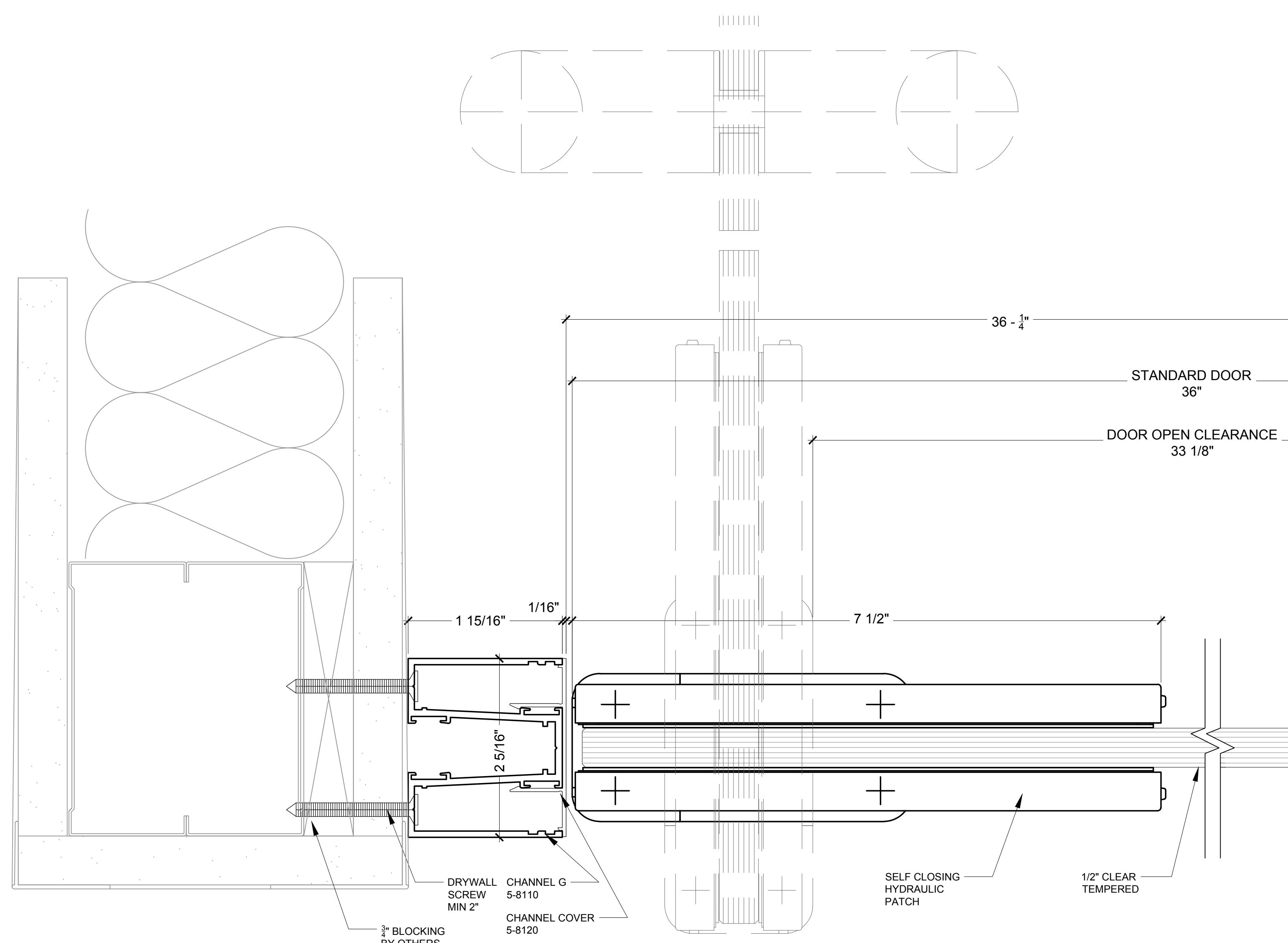
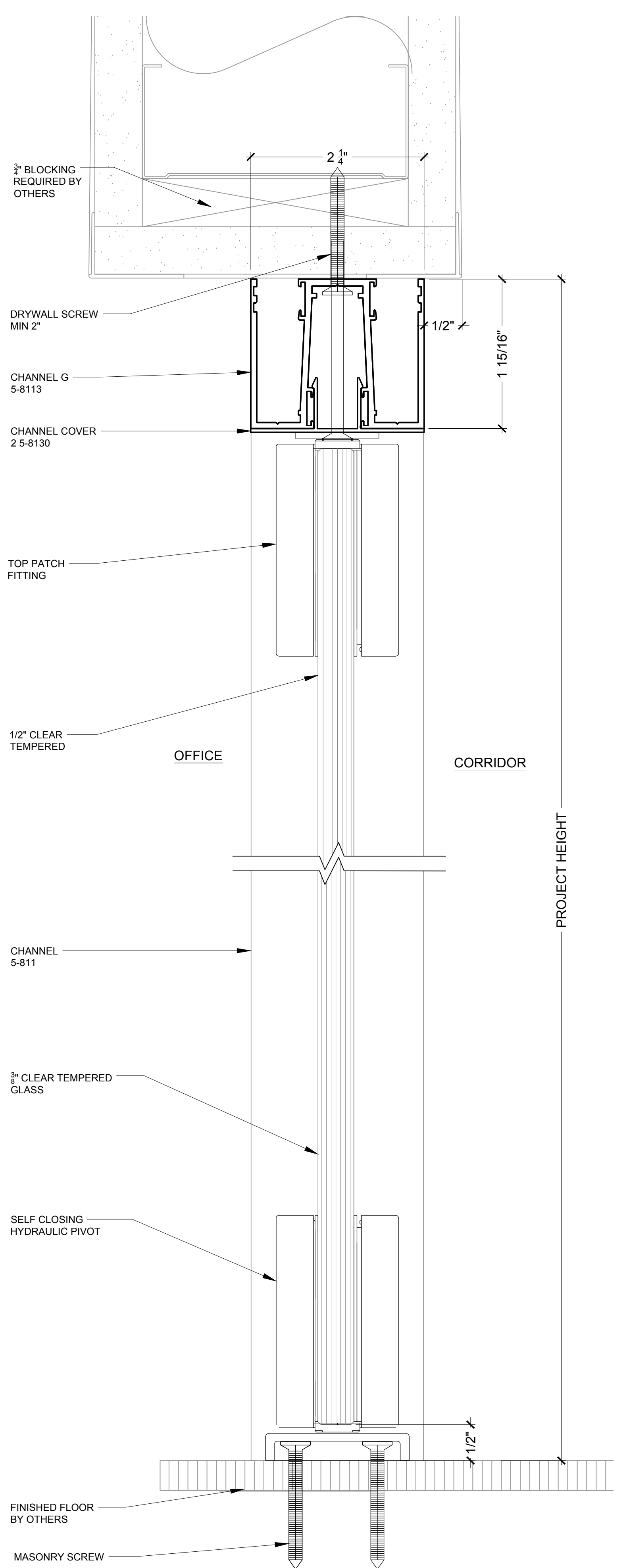


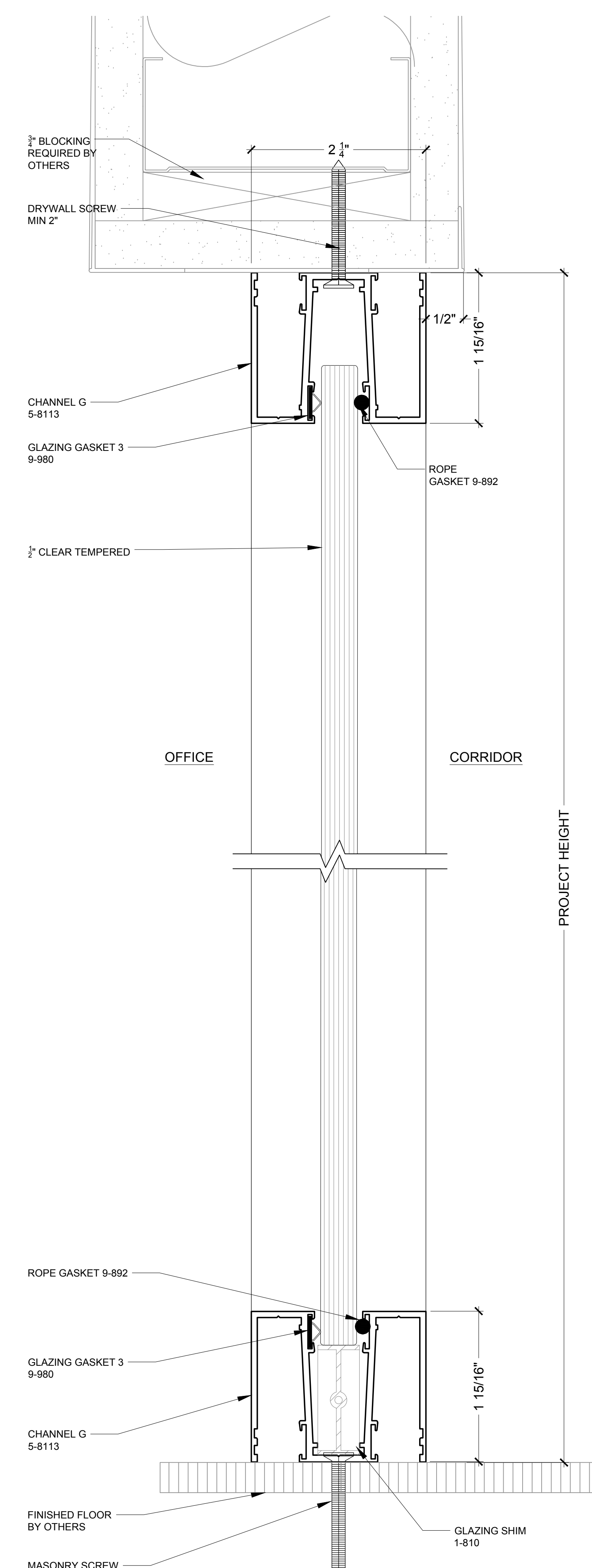
**1 ELEVATION**  
1'-0"=1'-0"



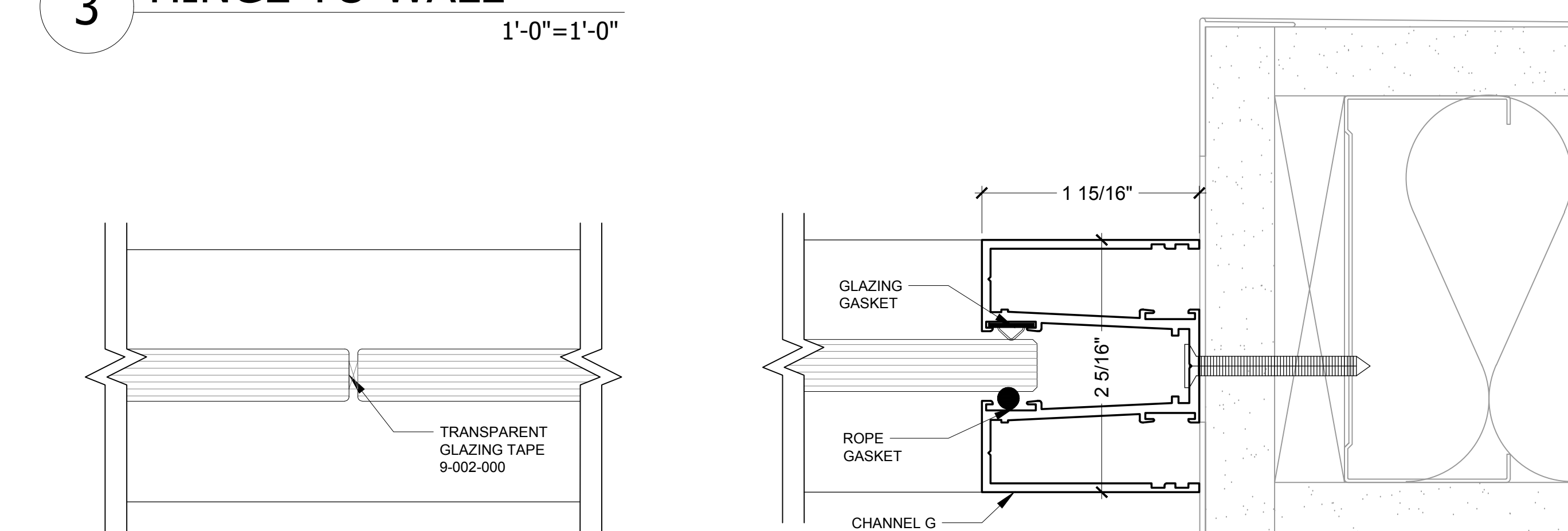
**3 HINGE TO WALL**  
1'-0"=1'-0"



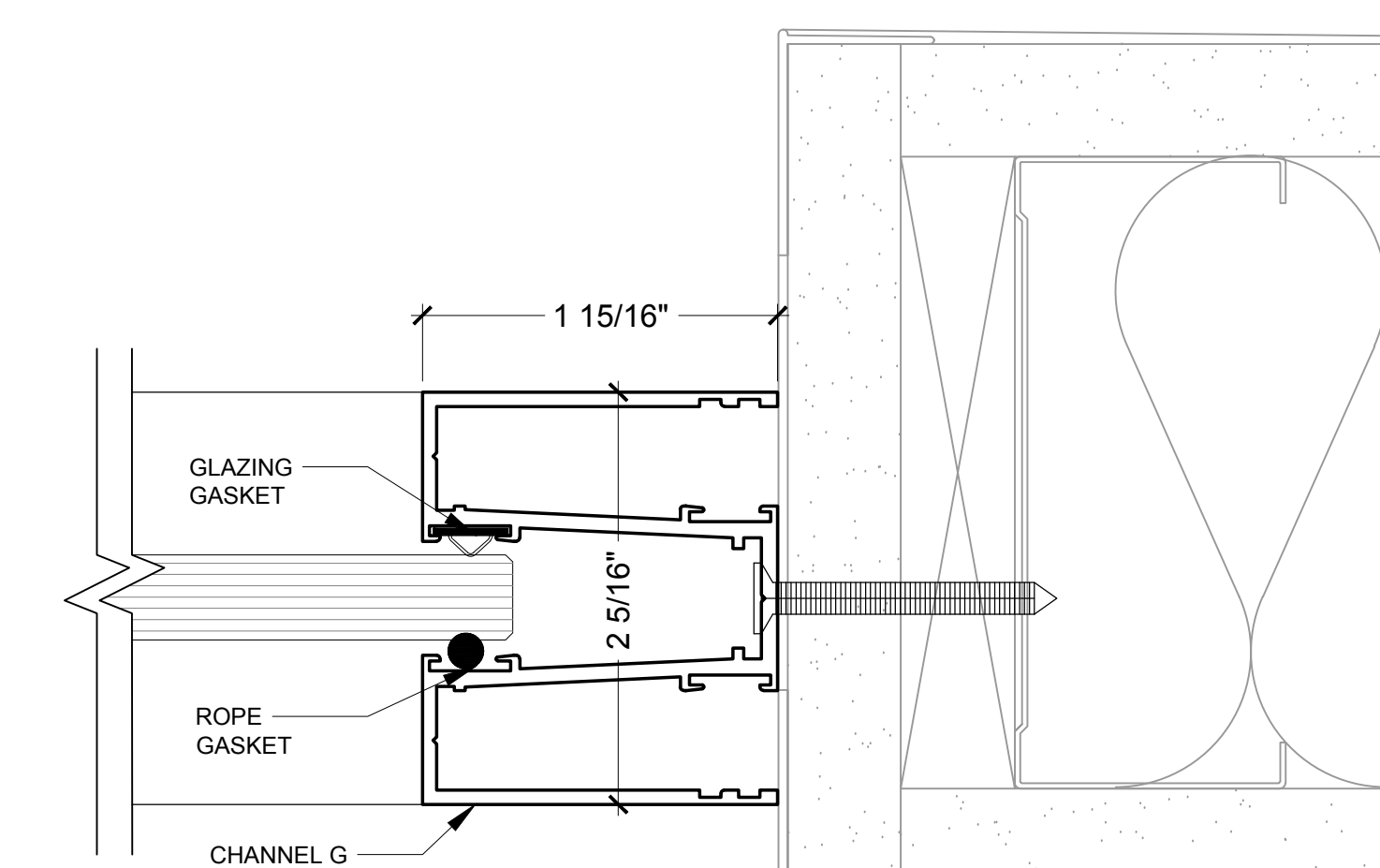
**1 FRAMELESS CENTERED PIVOT DOOR**  
1'-0"=1'-0"



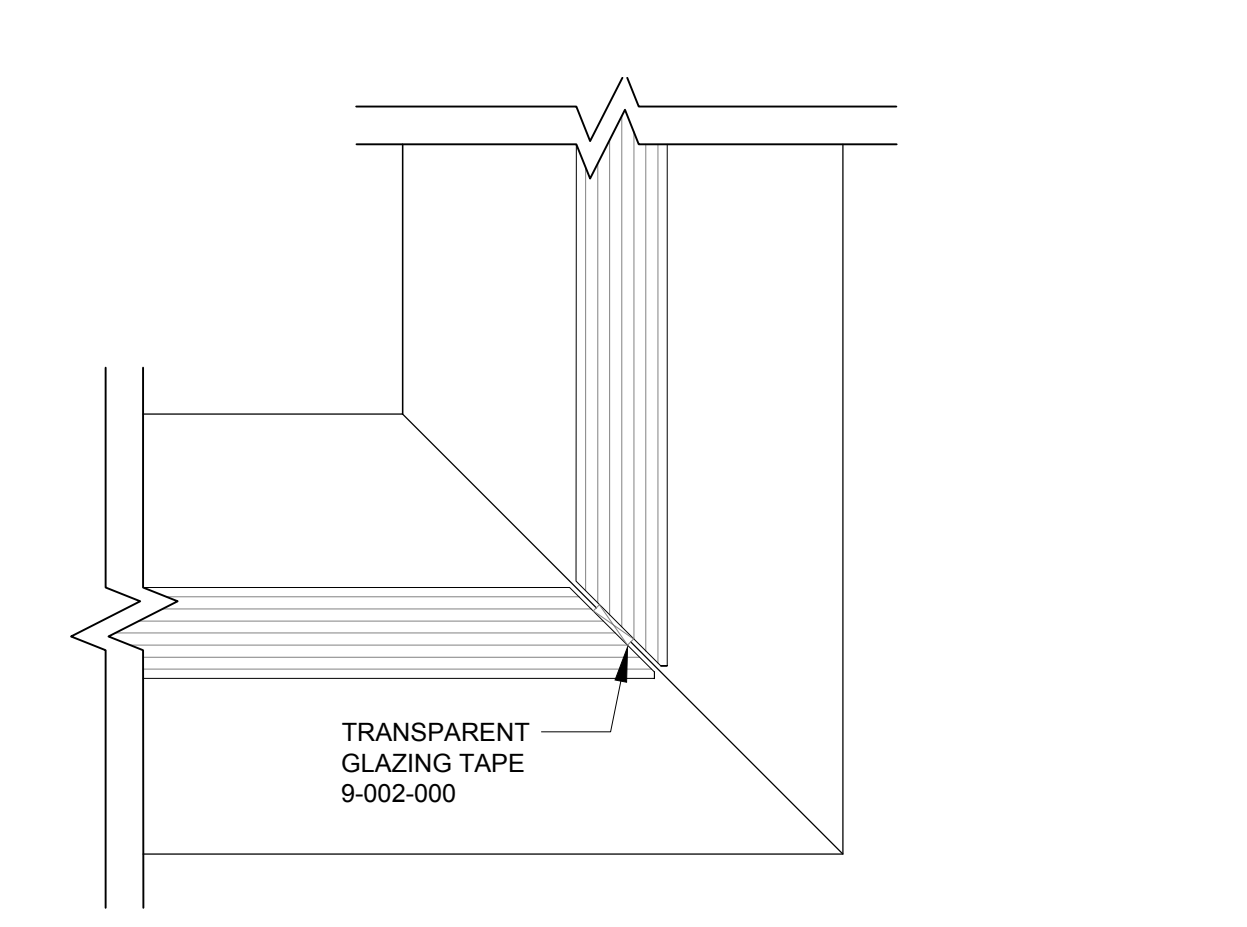
**2 CENTERED FIXED CHANNEL**  
1'-0"=1'-0"



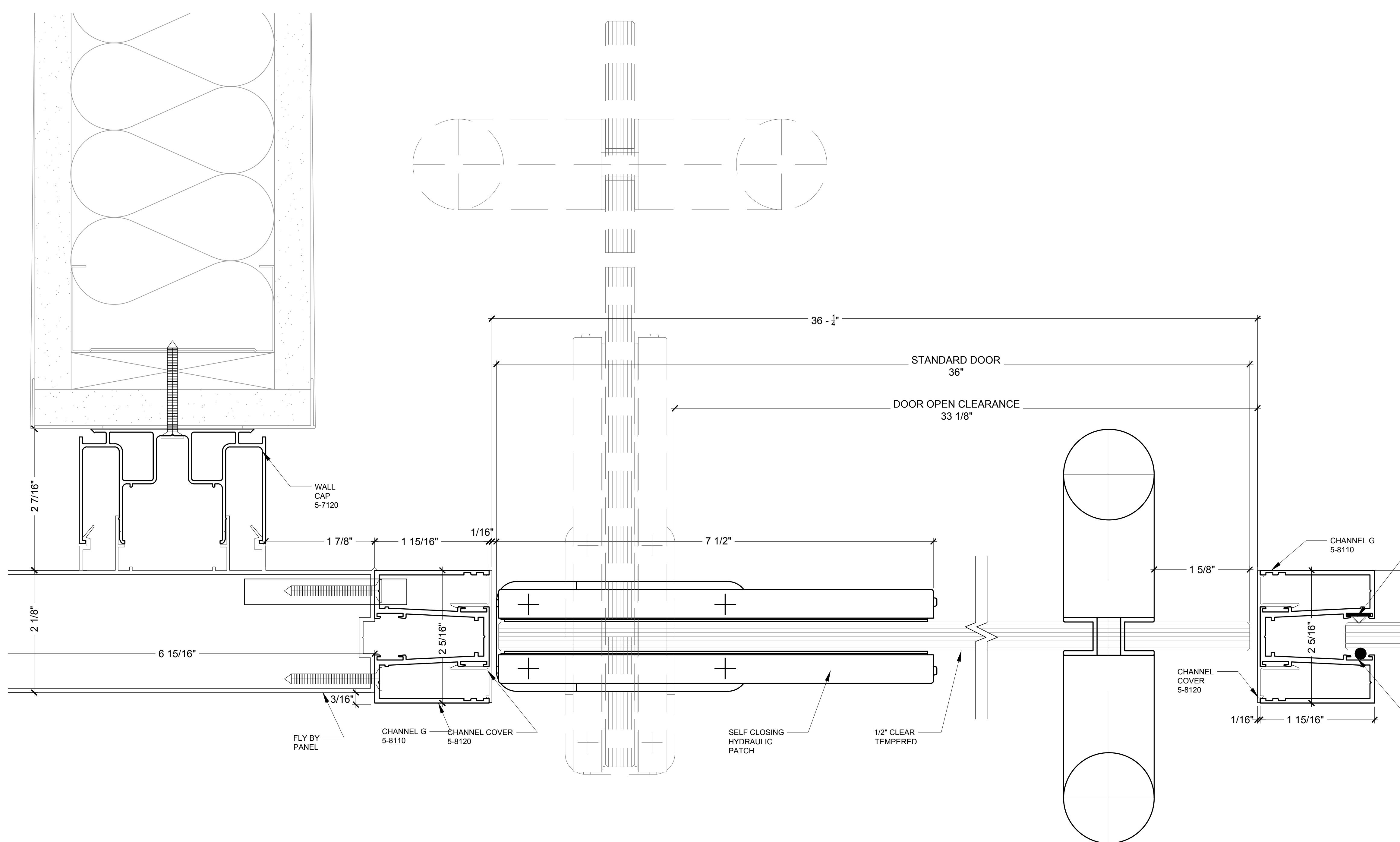
**4 GLASS CONNECTION**  
1'-0"=1'-0"



**5 WALL ABUTMENT**  
1'-0"=1'-0"



**1 GLASS CORNER**  
1'-0"=1'-0"



**3 FRAMELESS CENTERED SINGLE GLAZED PIVOT DOOR W/ LADDER PULL**  
1'-0"=1'-0"

LEGEND:

1	Out for Approval	M: 03/01
NO.	REVISION	DATE

PROJECT: **FRAMELESS CENTER SINGLE GLAZED PIVOT DOOR w/ PULL**

PROJECT TITLE: **CLIPPER STANDARDS DRAWINGS**

DRAWING TITLE: **FRAMELESS CENTER PIVOT W-PULL**

225 Park Avenue South - Suite 201  
New York, NY 10003  
Tel: 212.647.6200

175 Morristown Rd., Ste 200  
Basking Ridge, NJ 07920  
Tel: 908.901.0201

WWW.WBWOOD.COM  
New York • New Jersey

A Herman Miller Certified Network Member

PROJECT No. \_\_\_\_\_ JOB NO. \_\_\_\_\_  
DATE: \_\_\_\_\_ March 5, 2019  
SCALE: 11 11/128" = 1'-0"

DRAWN BY: \_\_\_\_\_  
CHECKED BY: \_\_\_\_\_  
DATE: \_\_\_\_\_

These plans are an instrument of service and are the property of WB Wood. Infringements will be prosecuted.