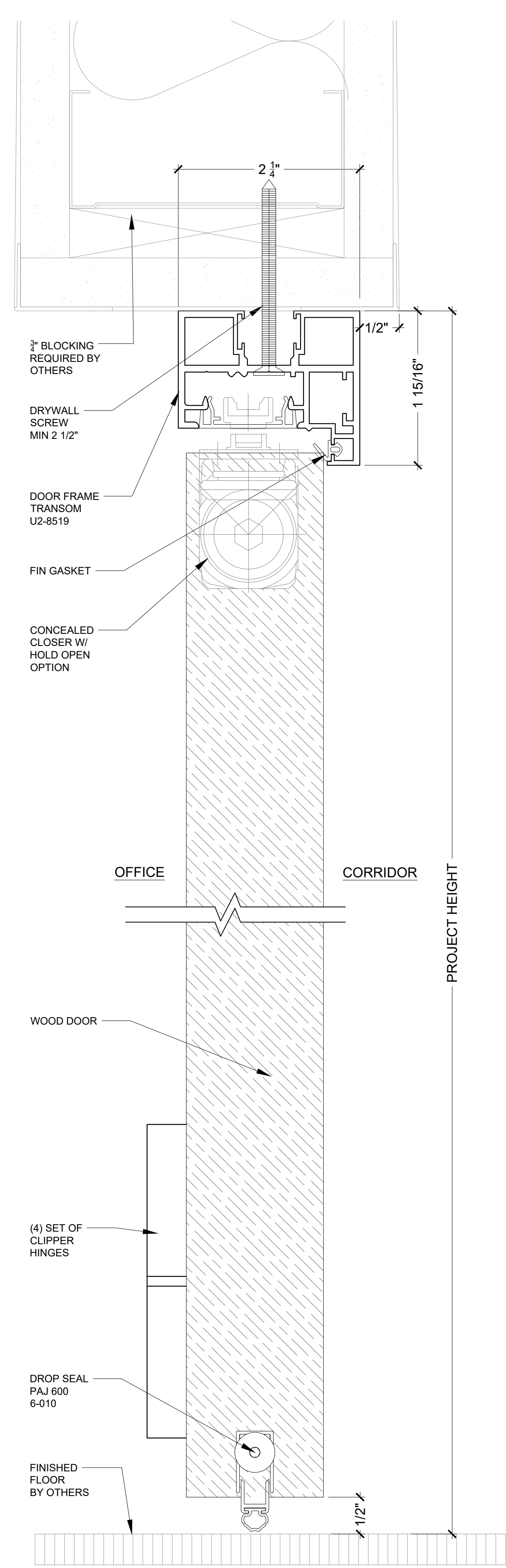
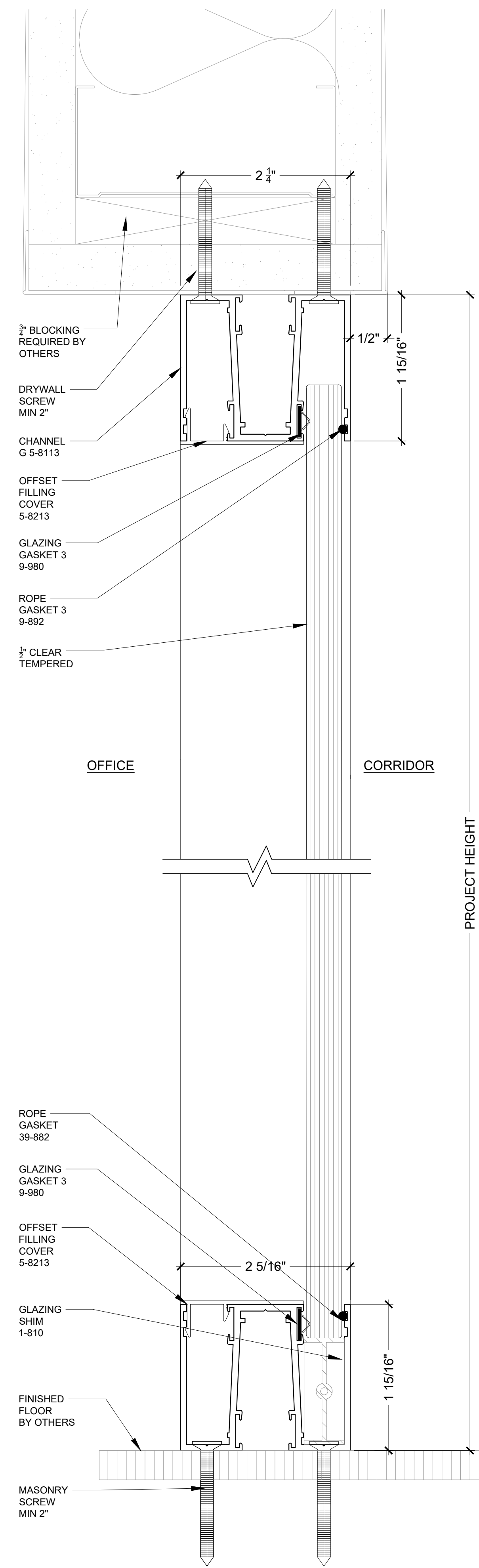


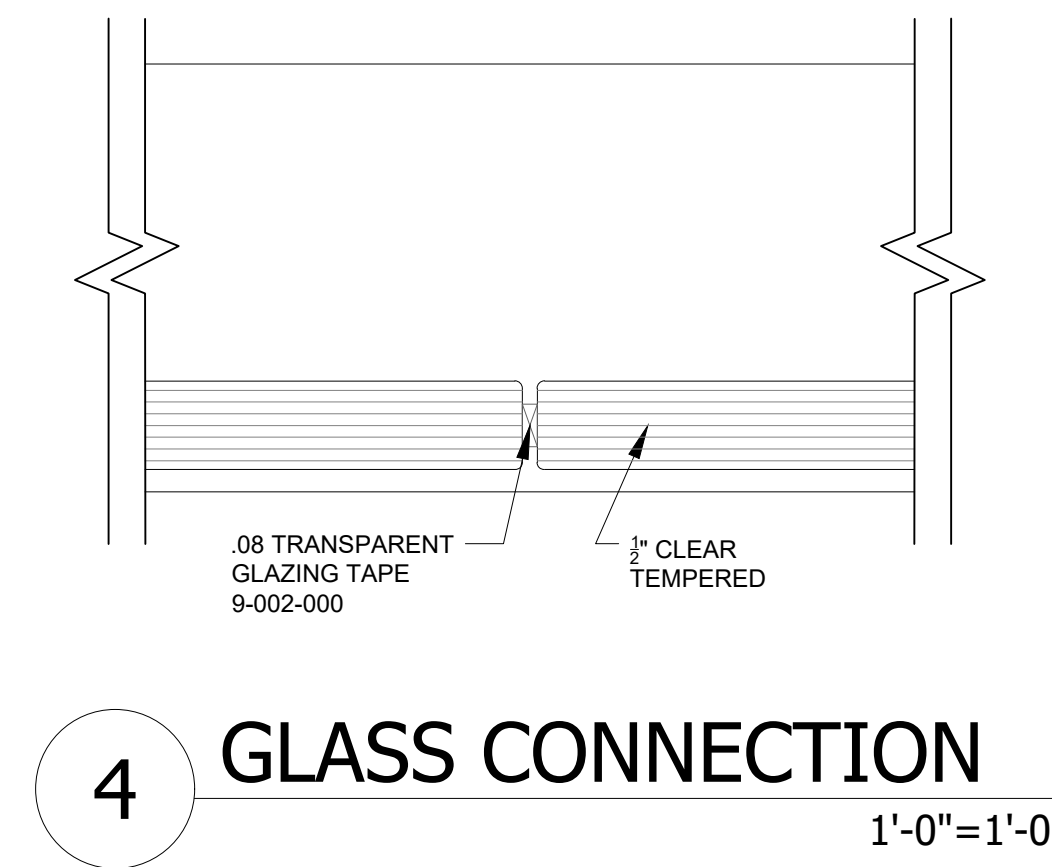
1 ELEVATION
FRAMED WOOD HINGED PIVOT DOOR W/ LEVER HANDLE SCALE: 1/2"=1'-0"



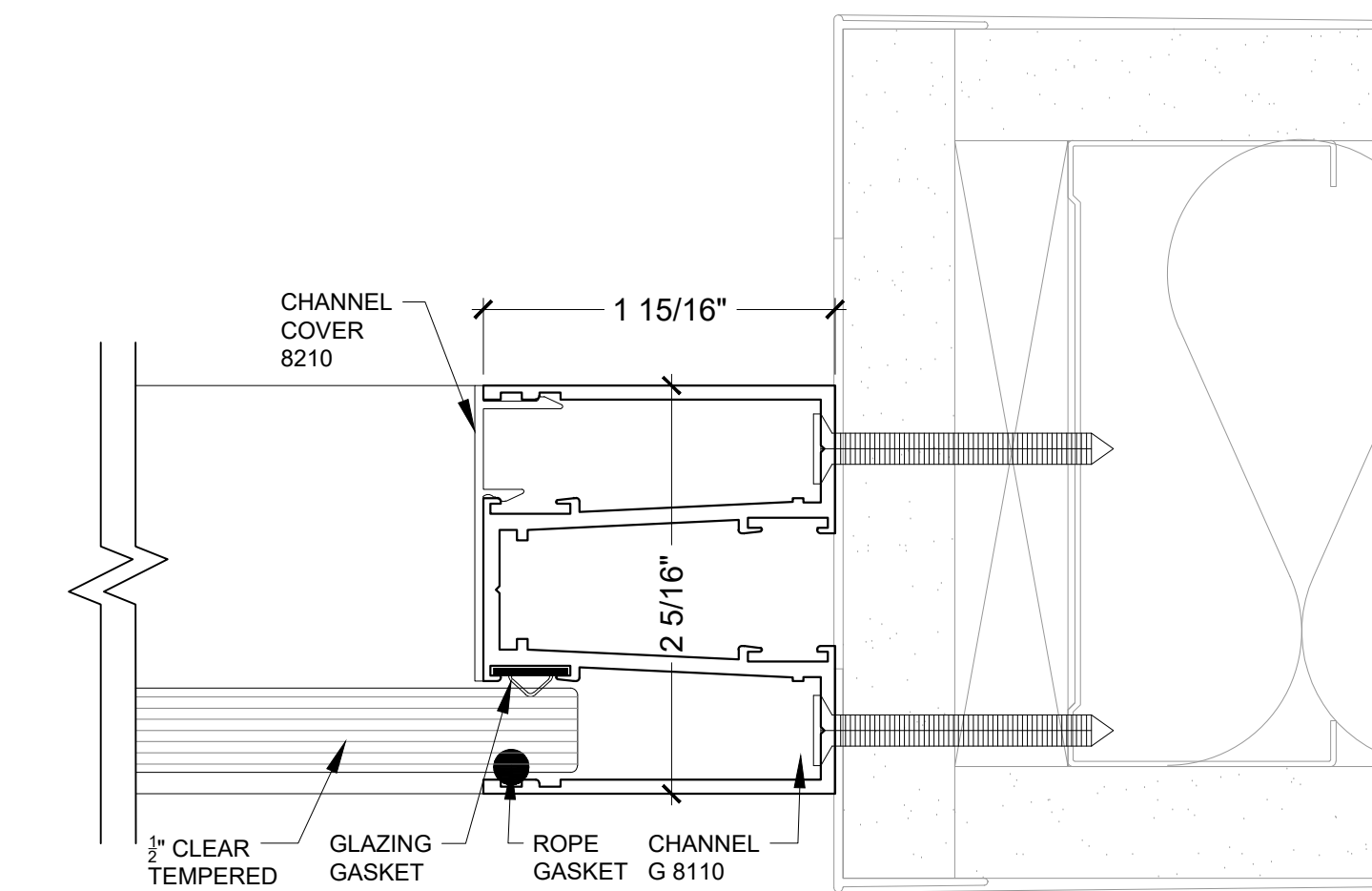
1 FRAMED WOOD HINGED PIVOT DOOR
1'-0"=1'-0"



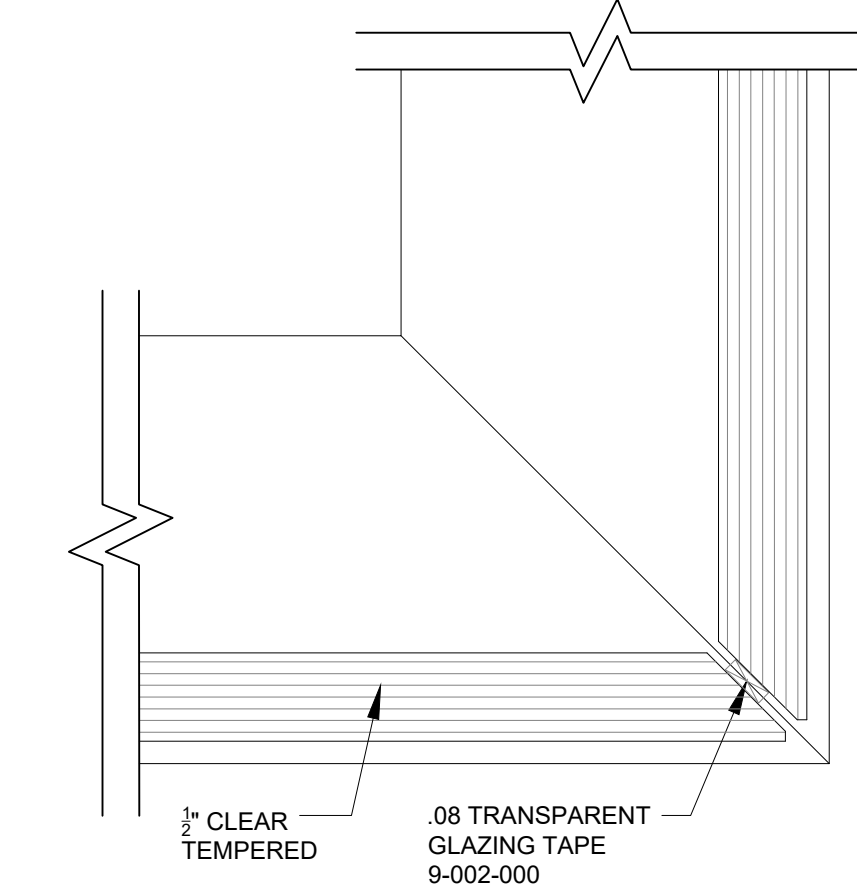
2 OFFSET FIXED CHANNEL
1'-0"=1'-0"



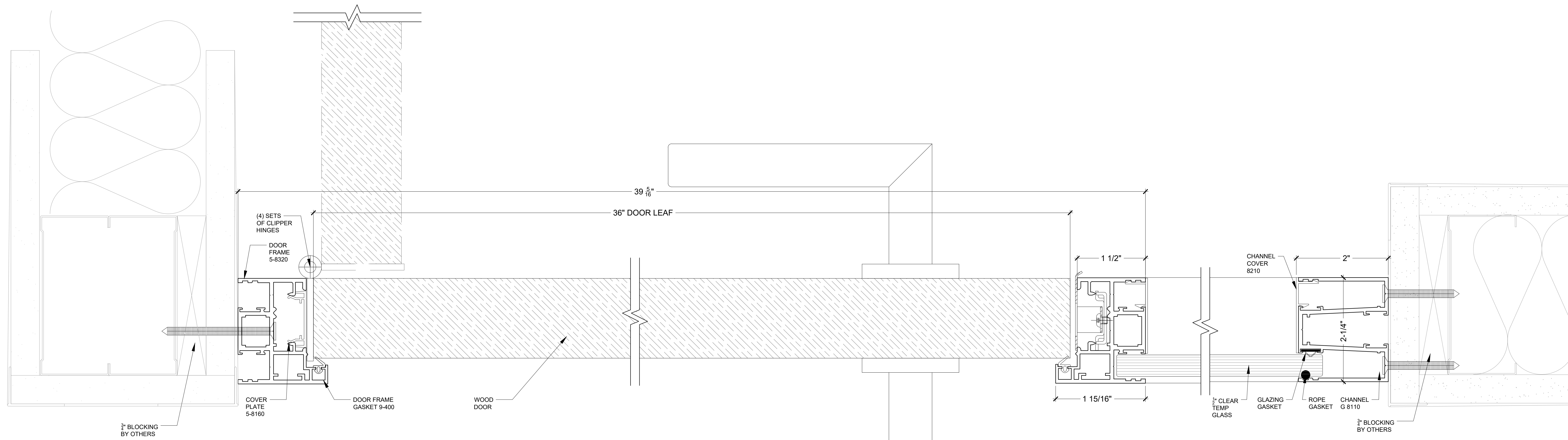
4 GLASS CONNECTION
1'-0"=1'-0"



5 WALL ABUTMENT
1'-0"=1'-0"



6 GLASS CORNER
1'-0"=1'-0"



3 FRAMED WOOD HINGED PIVOT DOOR W/ LEVER HANDLE
1'-0"=1'-0"

1	Out for Approval	11/03/11
No.	REVISED	DATE

Wood Pivot Door with Lever Handle in Single Glazed Offset System

CLIPPER STANDARDS DRAWINGS

DRAWING TITLE
WOOD HINGED PIVOT DOOR W- LEVER OFFSET SINGLE GLAZED

225 Park Avenue South - Suite 201
New York, NY 10003
Tel. 212.647.6200
170 Normansdown Rd. - Ste 2000
Basking Ridge, NJ 07920
Tel. 908.901.0001

www.wbwood.com
New York • New Jersey
A Herman Miller Certified Network Member

PROJECT No. _____ JOB No. _____
DATE: December 20, 2019
SCALE: 1/2"=1'-0"
DRAWN BY: _____
CHECKED BY: _____

Approved By: _____
Signature _____ Date _____

These plans are an instrument of service and are the property of WB Wood. Infringements will be prosecuted.