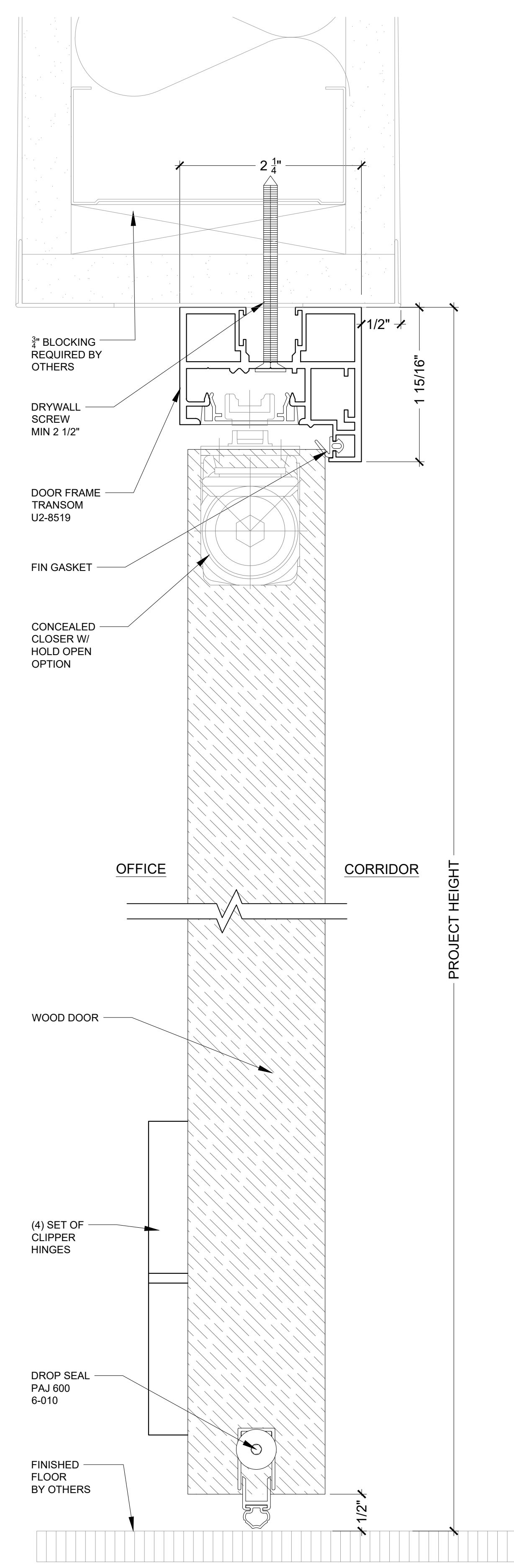
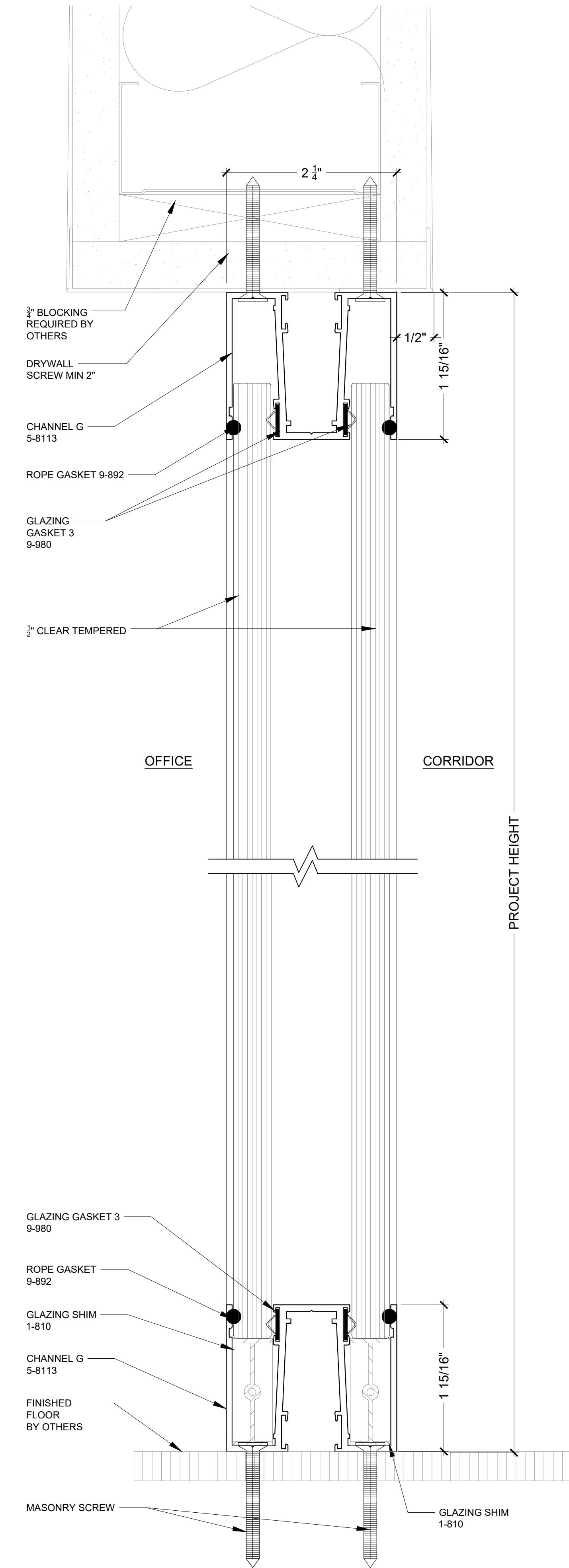


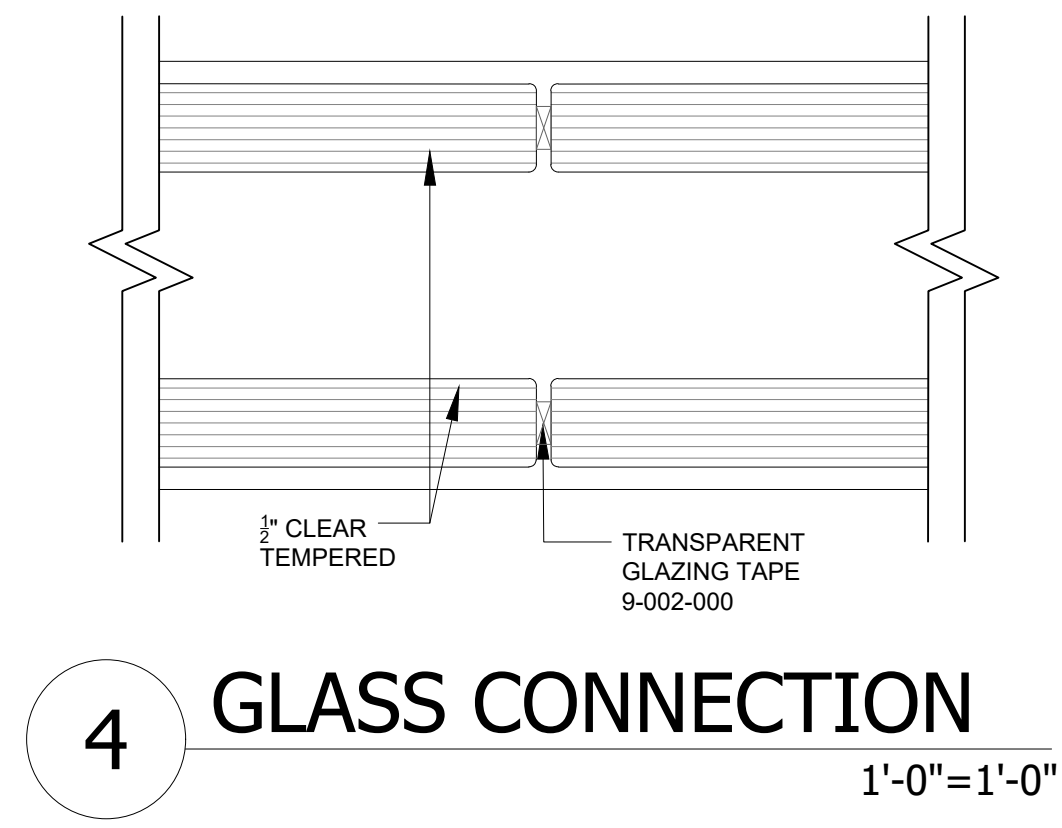
1 ELEVATION
 FRAMED WOOD HINGED PIVOT DOOR W/ LEVER HANDLE SCALE: 1/2"=1'-0"



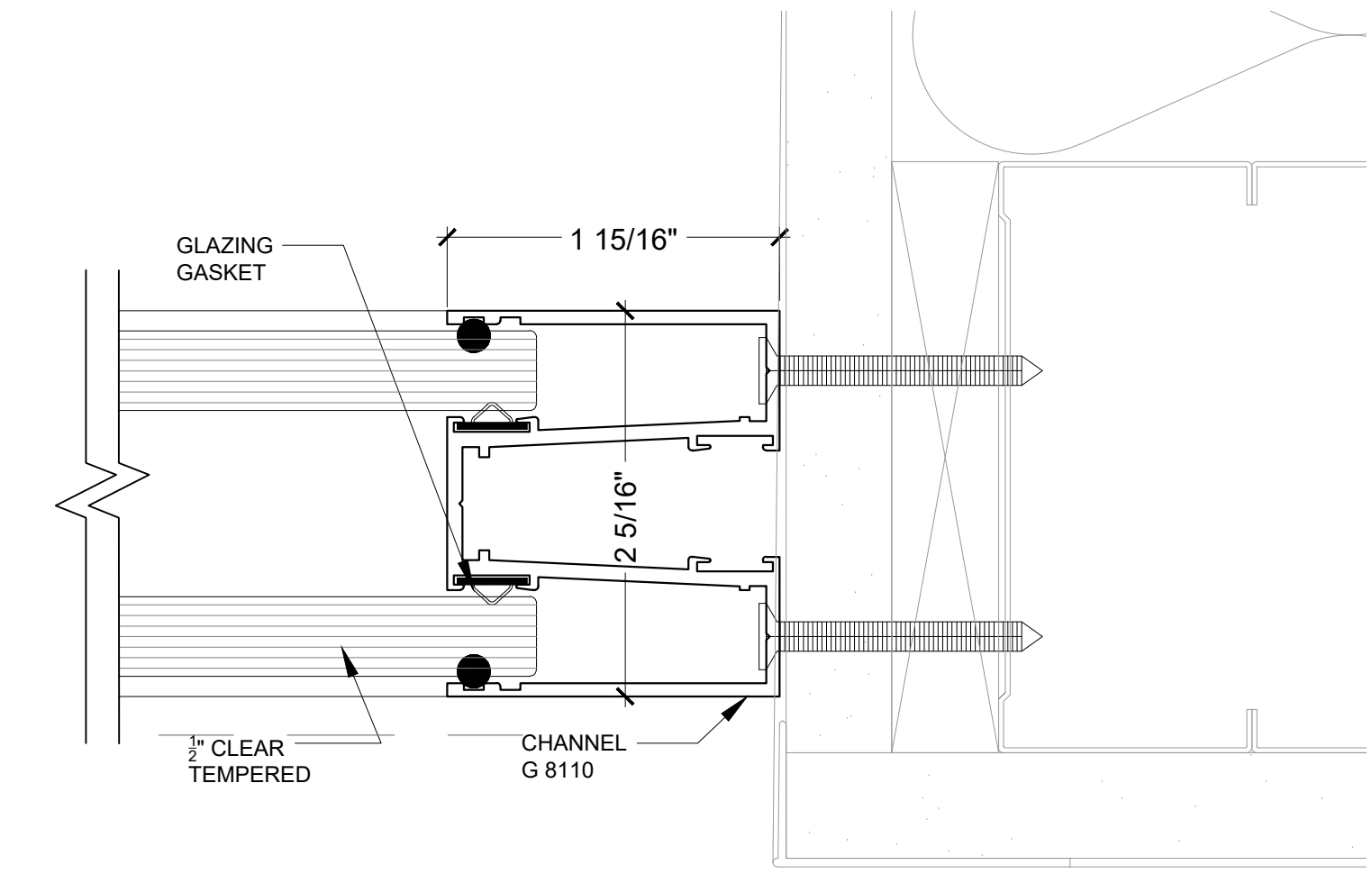
1 FRAMED WOOD HINGED PIVOT DOOR
 1'-0"=1'-0"



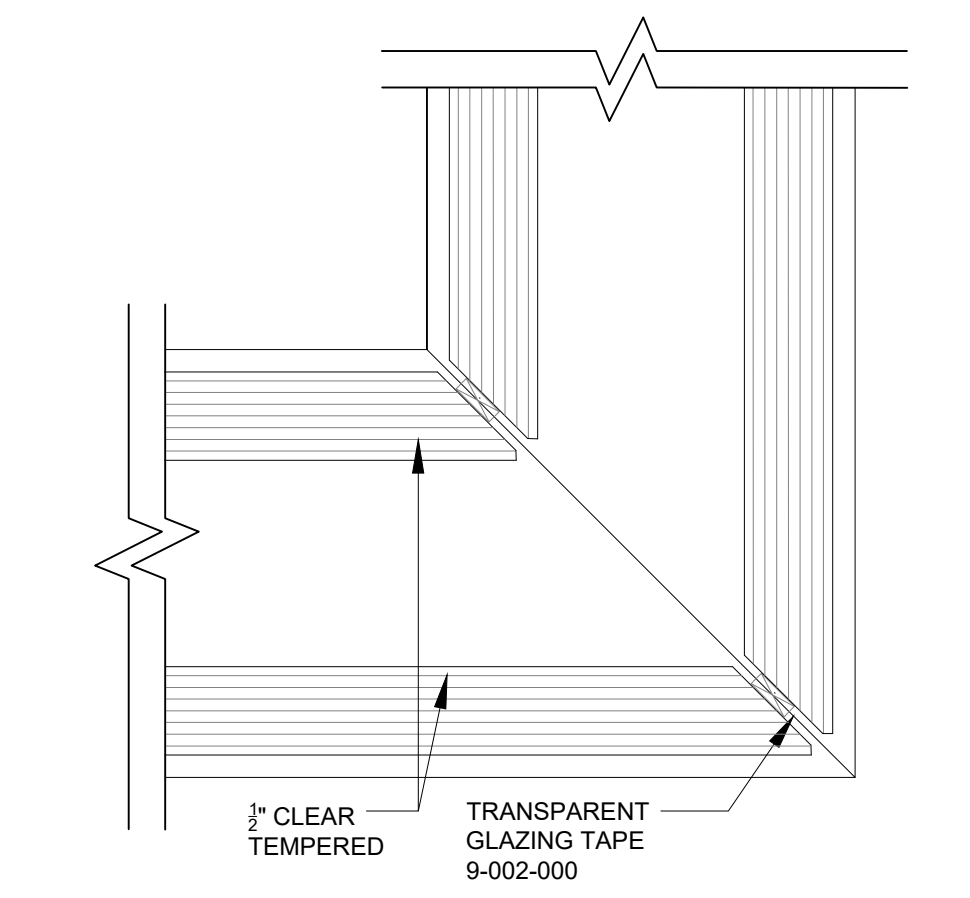
2 DOUBLE GLAZED FIXED CHANNEL
 1'-0"=1'-0"



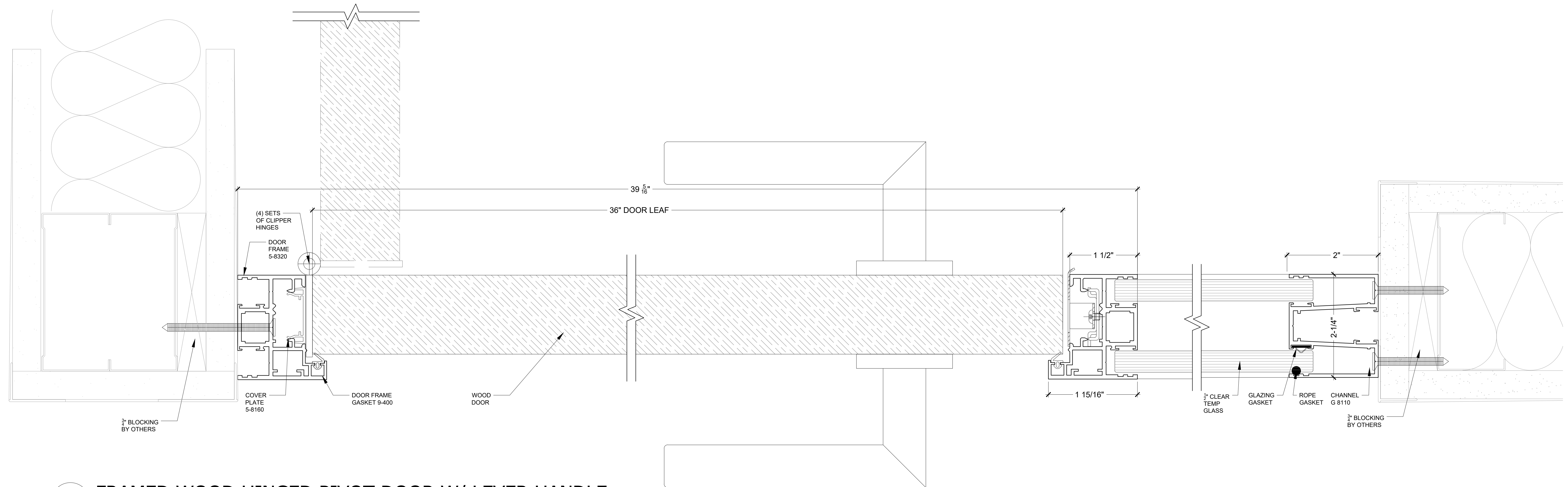
4 GLASS CONNECTION
 1'-0"=1'-0"



5 WALL ABUTMENT
 1'-0"=1'-0"



6 GLASS CORNER
 1'-0"=1'-0"



3 FRAMED WOOD HINGED PIVOT DOOR W/ LEVER HANDLE
 1'-0"=1'-0"

1	Out for Approval	W.D.2011
No.	REVISID	DATE

Wood Pivot Door with Lever Handle in Double Glazed System

PROJECT:

CLIPPER STANDARDS DRAWINGS

DRAWING TITLE:
WOOD HINGED PIVOT DOOR W- LEVER HANDLE DOUBLE GLAZED

225 Park Avenue South - Suite 201
 New York, NY 10003
 Tel. 212.647.6200
 170 Normansdown Rd. Ste 2000
 Basking Ridge, NJ 07920
 Tel. 908.901.0001

www.wbwood.com
 • New York • New Jersey •

A Herman Miller Certified Network Member

PROJECT No.: _____ JOB No.: _____
 DATE: December 20, 2019
 SCALE: *****
 DRAWN BY: _____ NIP
 CHECKED BY: _____ XXX

Approved By: _____
 Signature Date

These plans are an instrument of service and are the property of WB Wood. Infringements will be prosecuted.